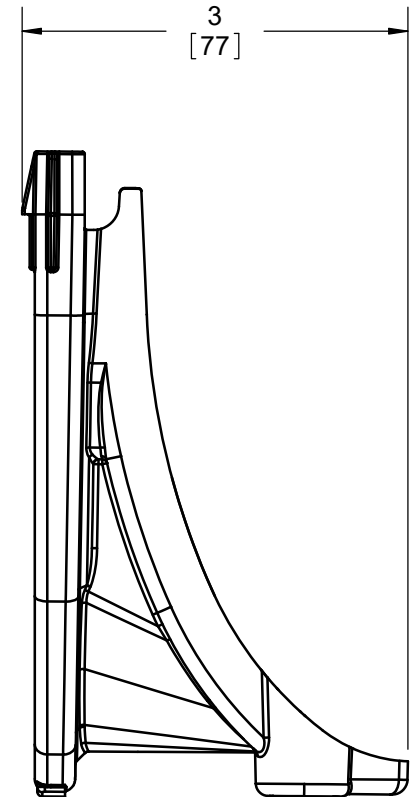
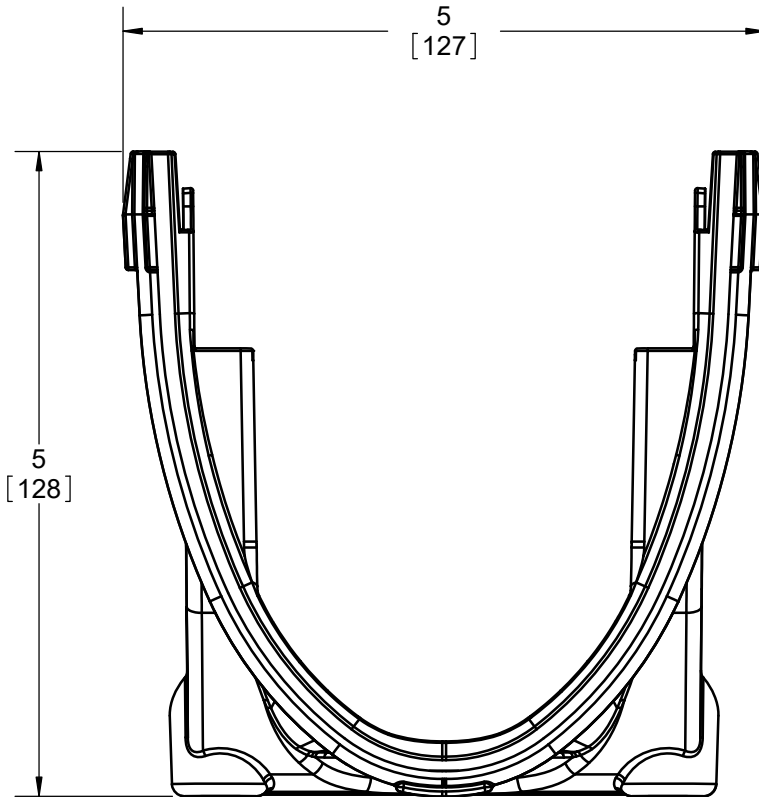
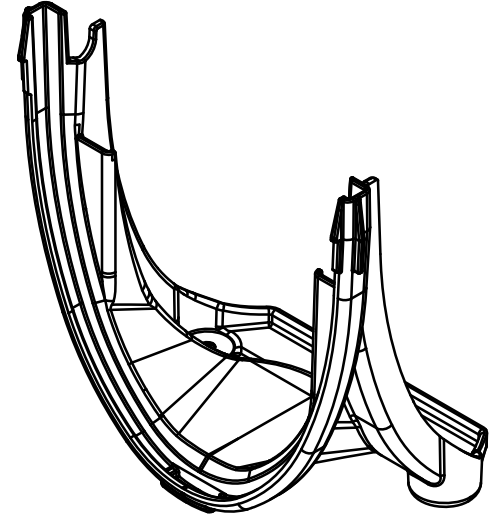


SPECIFICATION:

JOSAM 100-CT ADAPTER FOR PRO-PLUS 100C 4" INTERNAL WIDTH TRENCH CHANNELS. CONNECTOR SECURES TO BOSSES ON OUTSIDE OF CHANNEL WITH SCREWS (SUPPLIED) AND PROVIDES SUPPORT FOR MATING CHANNEL SECTION FOR CORNER OR TEE CONFIGURATION.

**PRO-PLUS
CORNER/T CONNECTOR 100C**

SERIES **100-CT**



WARNING: Cancer and Reproductive Harm - www.P65Warnings.ca.gov

DATE OF LAST CHANGE: 04/17/21

DIMENSIONS ARE SUBJECT TO MANUFACTURERS TOLERANCES AND CHANGE WITHOUT NOTICE. WE CAN ASSUME NO RESPONSIBILITY FOR USE OF SUPERSEDED OR VOID DATA.

JOSAM
MICHIGAN CITY, INDIANA

NOTES