

**SPECIFICATION:**

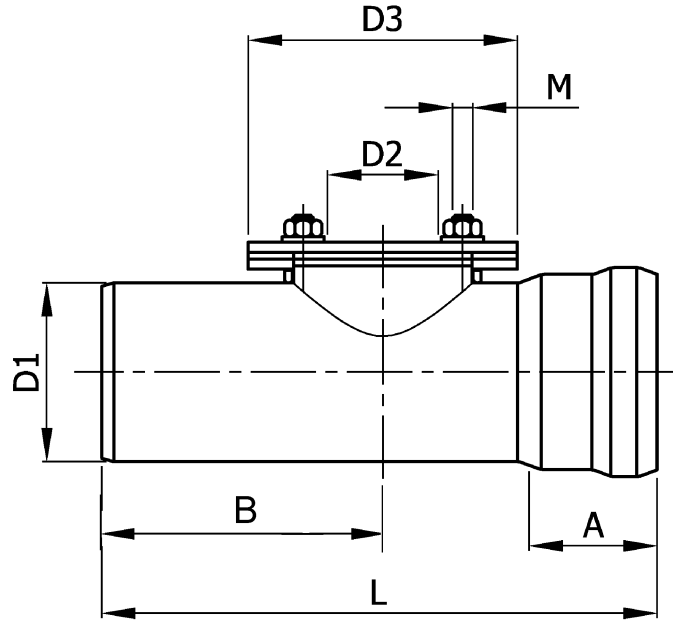
JOSAM PUSH-FIT™ TYPE 316L STAINLESS STEEL FITTING, ACCESS PIPE WITH 4 SCREWS AND EPDM GASKETED SOCKET ON ONE END.

**SS FITTING**

**PUSH-FIT  
ACCESS PIPE**

SERIES

**JF**



PART NO.	NOM. PIPE SIZE	D1 (PIPE O.D.)	D2	D3	A MIN. INSERT DEPTH	L	M (THREAD)	B
JF-2045	1-1/2"	1.7 [42]	1.7 [42]	2.8 [70]	1.2 [30]	5.4 [137]	M6	2.8 [70]
JF-2046	2"	2.1 [53]	2.1 [53]	3.1 [80]	1.5 [38]	6.5 [165]	M6	3.3 [84]
JF-2048	3"	2.9 [73]	2.9 [73]	4.1 [105]	2.2 [55]	8.9 [225]	M8	4.5 [115]
JF-2050	4"	4.0 [102]	3.5 [89]	4.9 [125]	2.8 [70]	11.5 [291]	M8	5.8 [148]
JF-2054	6"	6.3 [159]	5.2 [133]	6.5 [165]	3.1 [80]	15.9 [403]	M8	8.1 [205]
JF-2056	8"	8.6 [219]	5.2 [133]	6.5 [165]	4.7 [120]	17.4 [441]	M8	8.9 [225]

DIMENSIONS IN INCHES [mm] UNLESS OTHERWISE NOTED.

DATE OF LAST CHANGE: 7/19/18

DIMENSIONS ARE SUBJECT TO MANUFACTURERS TOLERANCES AND CHANGE WITHOUT NOTICE. WE CAN ASSUME NO RESPONSIBILITY FOR USE OF SUPERSEDED OR VOID DATA.

**JOSAM**  
MICHIGAN CITY, INDIANA

NOTES