

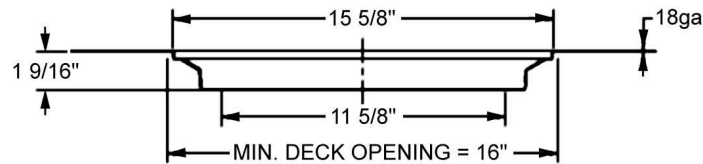
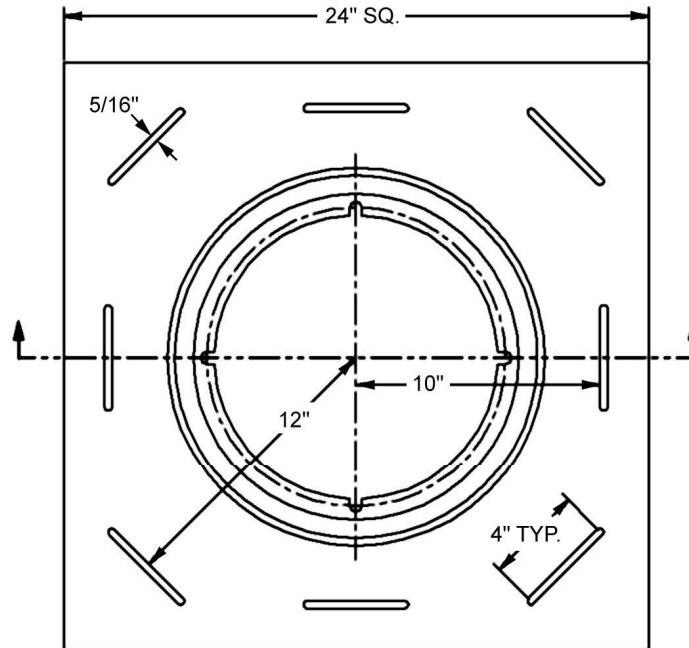
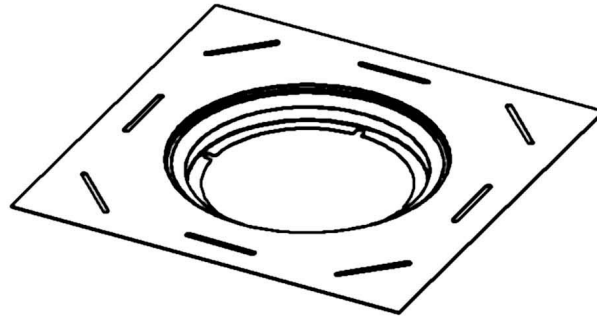
SPECIFICATION:

JOSAM ROOF DRAIN SERIES 21500-CR CLAMPING DRAIN RECEIVER, 18ga GALVANIZED STEEL WITH SECURING SLOTS AND HARDWARE FOR ATTACHING TO DRAIN BODY AND NAILING SLOTS FOR SECURING TO DECK.

CLAMPING DRAIN RECEIVER

SERIES

21500-CR



DRAWING No.

JOSAM COMPANY
MICHIGAN CITY, INDIANA

NOTES: