

SPECIFICATION:

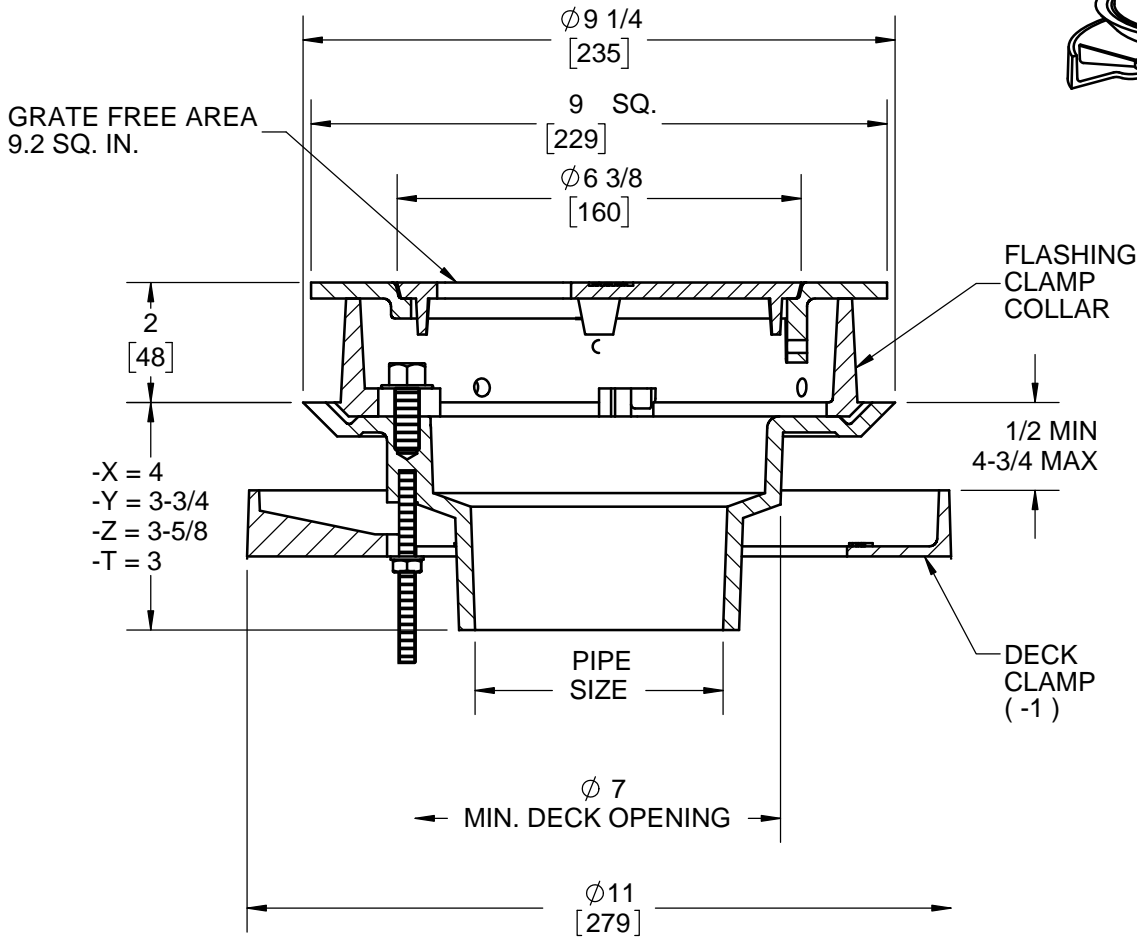
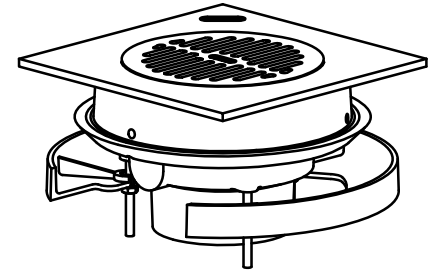
JOSAM 23730 SERIES COATED CAST IRON ROOF DRAIN, ROUND PEDESTRIAN GRATE SET IN SQUARE SECURED FRAME, NON-PUNCTURING FLASHING COLLAR WITH WEEPHOLES FOR 2" ROOF FILL, SMALL SUMP WITH WIDE ROOF FLANGE AND BOTTOM OUTLET.

ROOF DRAIN
SMALL SUMP, PROMENADE TOP

SERIES **23730**

● CONFORMS WITH ASTM-C564

SLOT WIDTH 1/4"
MEETS ADA AND HEEL-PROOF REQUIREMENTS



-X = 4
-Y = 3-3/4
-Z = 3-5/8
-T = 3

* -TSO BODY CANNOT BE USED WITH DRAIN RECEIVER (-2, -3 & -3C)

** -12 EXTENSION 1" STANDARD

2"	PIPE SIZE	-1C	DRAIN RECEIVER CLIPS (MIN. DECK OPENING ϕ 10.5")
3"	PIPE SIZE	-2	DRAIN RECEIVER
4"	PIPE SIZE	-3	DECK CLAMP ASSEMBLY AND DRAIN RECEIVER
		-3C	DRAIN RECEIVER AND DRAIN RECEIVER CLIPS
-T	THREADED OUTLET	-12	EXTENSION FLASHING COLLAR, CAST IRON (SPECIFY HEIGHT **)
-X	INSIDE CAULK OUTLET	-12-20	EXTENSION FLASHING COLLAR, GALVANIZED (SPECIFY HEIGHT **)
-Y	HUB OUTLET WITH GASKET	-20	GALVANIZED CAST IRON PARTS
-Z	NO-HUB SPIGOT OUTLET	-50	SATIN FINISH NIKALOY TOP
-TSO*	THREADED SIDE OUTLET	-51	SATIN FINISH BRONZE TOP
-1	DECK CLAMP ASSEMBLY	-VP	SECURED GRATE, VANDAL-PROOF SCREWS

DATE OF LAST CHANGE: 6/27/18

DIMENSIONS ARE SUBJECT TO MANUFACTURERS TOLERANCES AND CHANGE WITHOUT NOTICE. WE CAN ASSUME NO RESPONSIBILITY FOR USE OF SUPERSEDED OR VOID DATA.



MICHIGAN CITY, INDIANA

NOTES

WARNING: Cancer and Reproductive Harm - www.P65Warnings.ca.gov